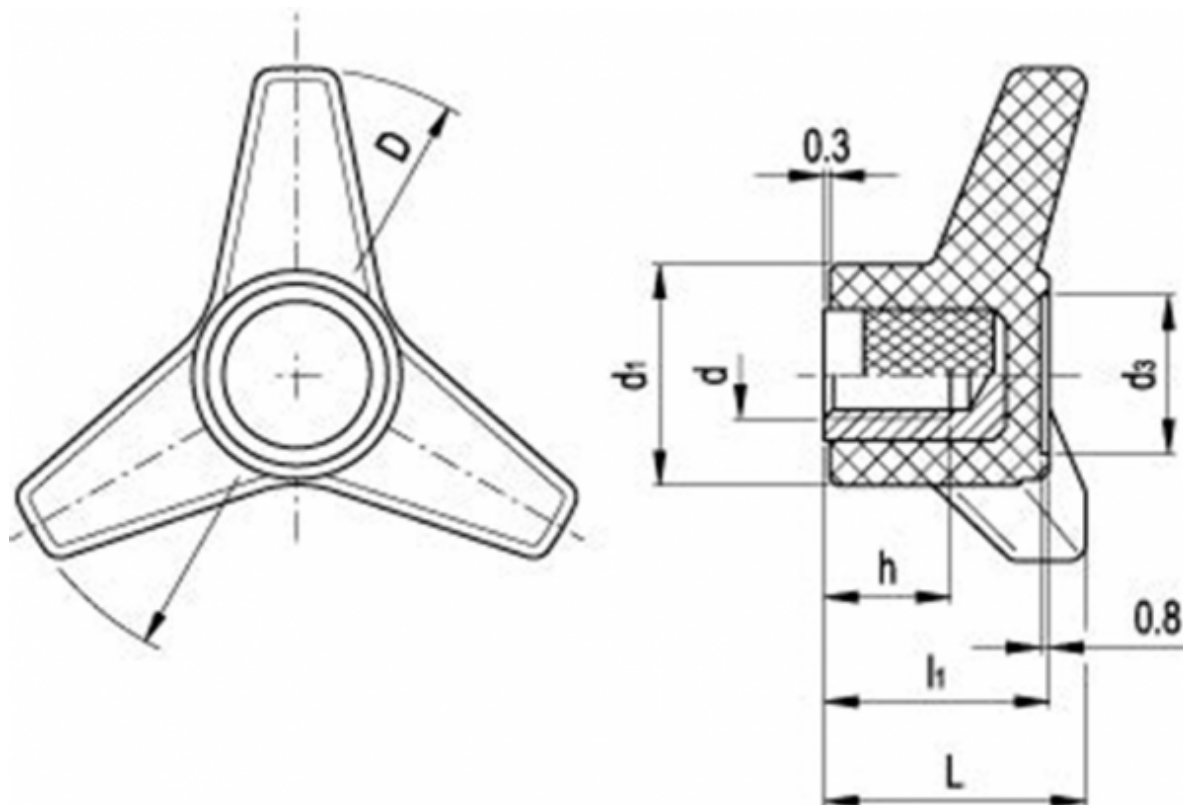


Article number: 2302065678

Description: E+G Three-arm knobs VB.639/80-SST-M10

Measures



D	= 80
d1	= 32
d3	= 21
dh	= M10
h	= 17
l1	= 30
L	= 35
Weight in (g)	= 61